

**SolidWorks Educational Edition.
For Instructional Use Only.**

UNLESS OTHERWISE SPECIFIED:
DIMENSIONS ARE IN INCHES
TOLERANCES:
FRACTIONAL: ± 1/32
TWO PLACE DECIMAL: ± .01
THREE PLACE DECIMAL: ± .002


MATERIAL

DO NOT SCALE DRAWING

	NAME	DATE
DRAWN	James Mader	
CHECKED		
ENG APPR.		
MFG APPR.		
Q.A.		

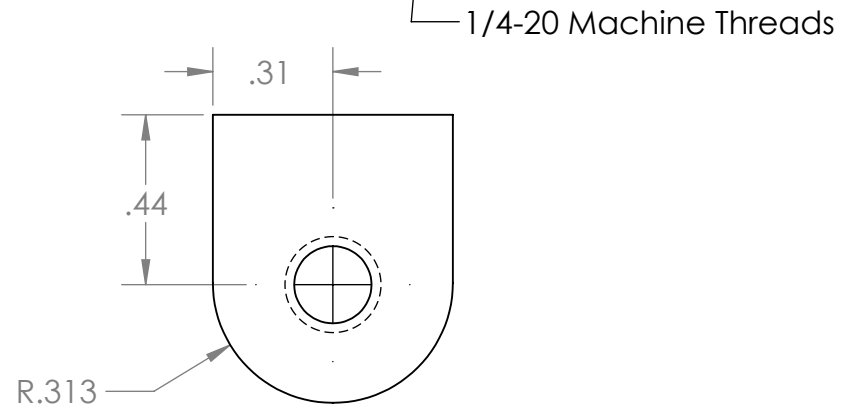
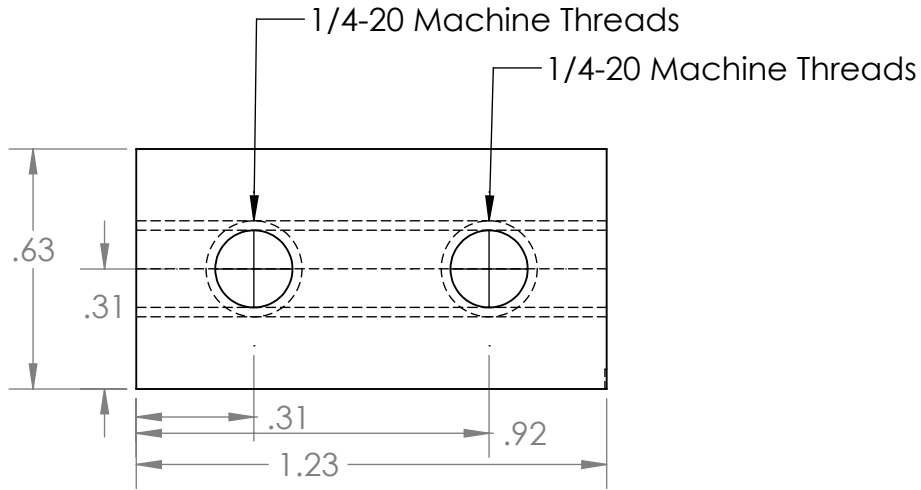
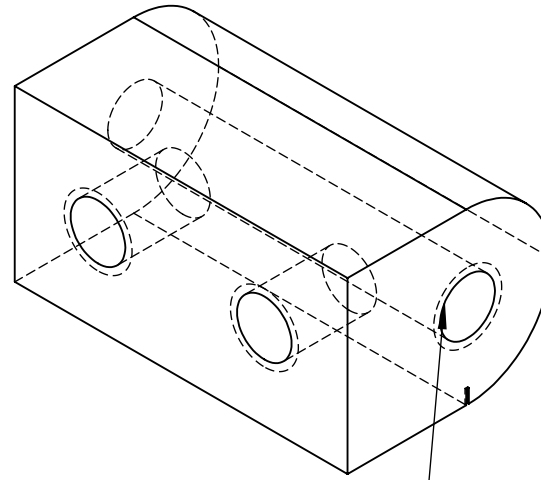
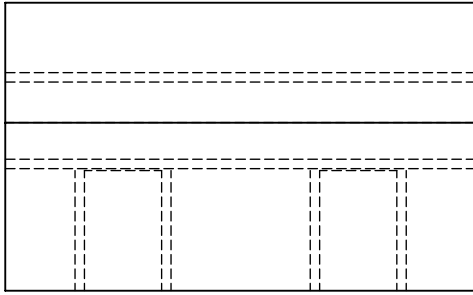
COMMENTS:

Title: **University of Idaho**



SIZE: **A** REV

SCALE: 1:1 SHEET 1 OF 1



**SolidWorks Educational Edition.
For Instructional Use Only.**

UNLESS OTHERWISE SPECIFIED:
DIMENSIONS ARE IN INCHES
TOLERANCES:
FRACTIONAL: $\pm 1/32$
TWO PLACE DECIMAL: $\pm .01$
THREE PLACE DECIMAL: $\pm .002$

MATERIAL

DO NOT SCALE DRAWING

	NAME	DATE
DRAWN	James Mader	
CHECKED		
ENG APPR.		
MFG APPR.		
Q.A.		

COMMENTS:

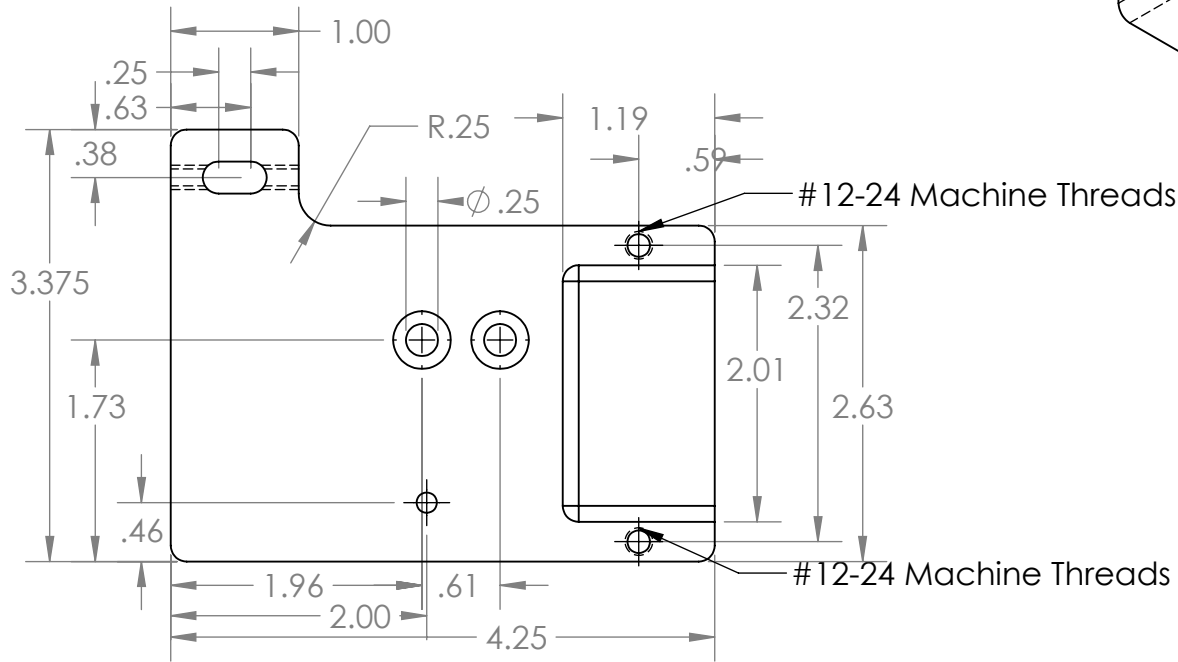
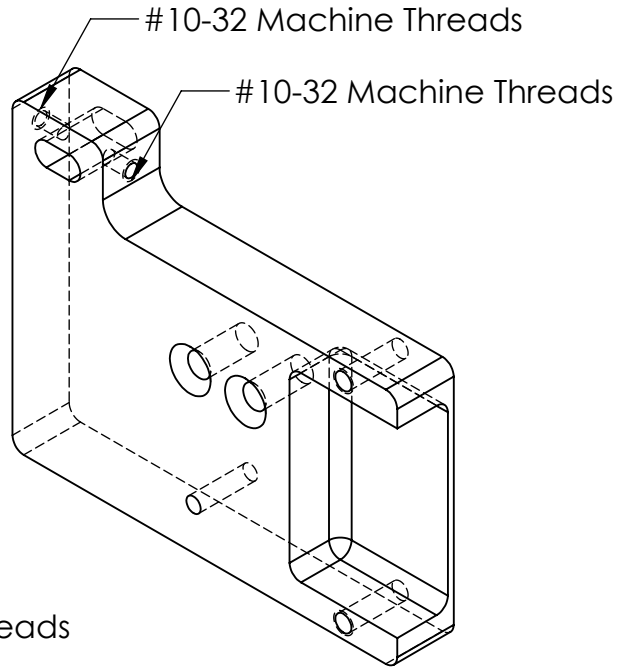
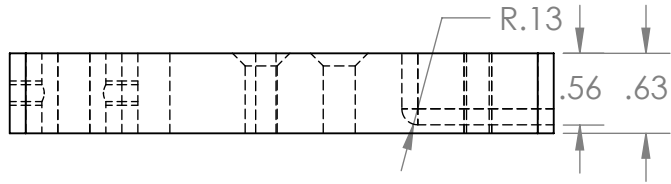
University of Idaho

The University of Idaho

Title: _____

SIZE **A** _____ REV _____

SCALE: 2:1 **1889** SHEET 1 OF 1



**SolidWorks Educational Edition.
For Instructional Use Only.**

UNLESS OTHERWISE SPECIFIED:
DIMENSIONS ARE IN INCHES
TOLERANCES:
FRACTIONAL: ± 1/32
TWO PLACE DECIMAL: ± .01
THREE PLACE DECIMAL: ± .002

MATERIAL

DO NOT SCALE DRAWING

	NAME	DATE
DRAWN	James Mader	
CHECKED		
ENG APPR.		
MFG APPR.		
Q.A.		

COMMENTS:

UNIVERSITY OF IDAHO		REV
Title: Top Profile		
SIZE	A	
SCALE: 2:3		SHEET 1 OF 1